



Datasheet

Level & Temperature transmitter

SUP-P260-M4

Supmea[®]

Committed to process automation solutions

Tel: 86-15158063876

E-mail: info@supmea.com

www.supmea.com

Datasheet

The transmitter integrates Level and temperature measurement, is applied to fluid depth measurement at industrial areas, transfers measured depth value to standard signal such as (4~20)mA / (0~5)V/ RS485. The products with carefully designed, component screening, process verification and curing, cyclic loading and aging, environmental simulation testing and other processes to ensure that each product is stable and reliable. It matches various instruments, and is widely used in transportation, oil, chemical, metallurgical, light industry and other fields.

Application

- Deep well and borehole measurements
- Level measurement in open bodies of water
- Sewage lift and pumping stations
- Settling ponds and rainwater basins
- Ground water monitoring
- Drinking water system
- Vessel and storage systems
- Overfilling and no-load operation monitoring
- Level measurement in rivers and lakes

Features

- Slender design
- Level & Temperature 2 in 1
- Durable 316 SS construction for reliable, long life in harsh environments
- good long term stability
- Diaphragm is protected from physical damage and turbulence
- Excellent chemical compatibility for wide application use
- Ingress protection up to IP 68
- Optional cases



Submersible level transmitter

Parameter

Relative pressure

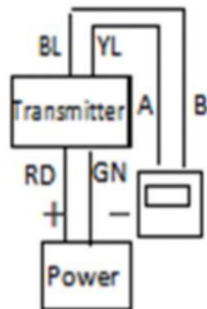
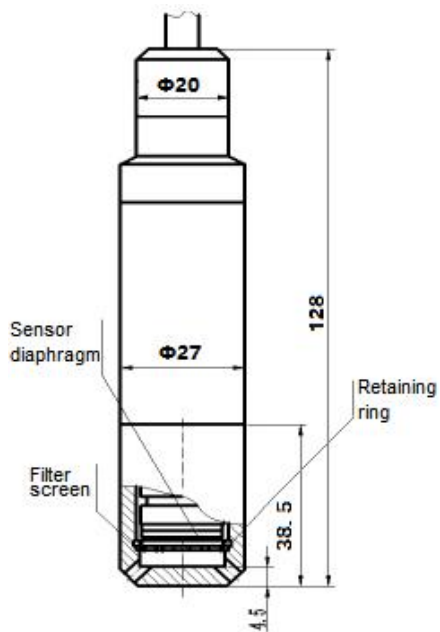
bar	0...0.25	0...0.4	0...0.6	0...1	0...1.6	0...2.5	0...4	0...5
mH2O	0...2.5	0...4	0...6	0...10	0...16	0...25	0...40	0...50
psi	0...3.6	0...5.8	0...7.8	0...14.5	0...23.2	0...36.2	0...58	0...72.5

The given measuring ranges are also available in mbar, kPa and MPa.

Parameter

Measure range	Level: (0~100) m Temperature : (0~50) °C
Accuracy	Temperature :1.5%FS Level:0.5%FS
Stability	±0.25%FS/Year
Zero temperature drift	±0.05%FS/°C
Sensitivity temperature drift	±0.05%FS/°C
Compensation temperature	0~50°C
Medium temperature	-20~65°C
Supply	12~30VDC
Output	RS485
Load resistance	Current mode: ≤ (U-12) /0.02(Ω)
Ingress Protection	IP68

Dimension **Wiring diagrams**



RS485 output:
 Red:Vcc+
 Green:Vcc-
 Yellow:TX(A)
 Blue:RX(B)
 Black:Shield Wire

Ordering code

SUP-P260-M4-R(0~10)-J5-CT1-D0-V1-CS5							Description
SUP-P260-M4	-	-	-	-	-	-	
Range	R(XX~XX)						0~100m
Accuracy	J5						Level 0.5%FS
							Temperature 1.5%FS
Cable material			CT1				PE
			CT2				PU
Communication				D0			Without communication
				D1			RS485
Power supply						V1	12~30VDC(Standard)
							5m(Standard)
Cable length						CS5	5m(Standard)
						CSXX	Customized

Note: Only one of communication and Signal output can be selected

Accessories

Data logger



Panel meter



Panel meter

